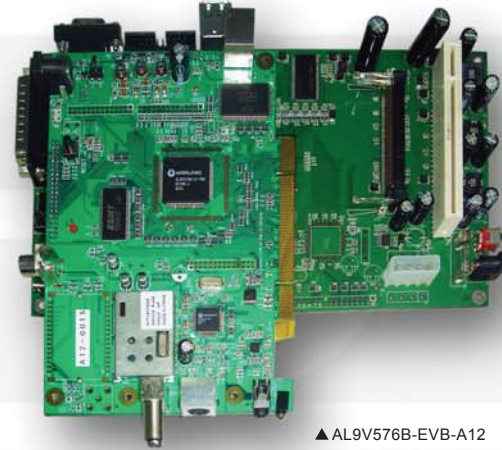


MPEG-4 Network TV/Video Server Reference Design

AL9V576B-EVB-A2/A12



▲AL9V576B-EVB-A2



▲AL9V576B-EVB-A12

Features

- Compact TCP/IP network remote video/ audio surveillance system
- Composite video and stereo audio or high sensitivity microphone inputs
- Universal analog TV Tuner built-in (only for A12)
- Optimal synchronization of audio/video
- High performance and fully configurable MPEG-4 compression engine
- Built-in web server
- Customized home page
- Extension for alarm and sensor (only for A2)
- Wired and wireless supported

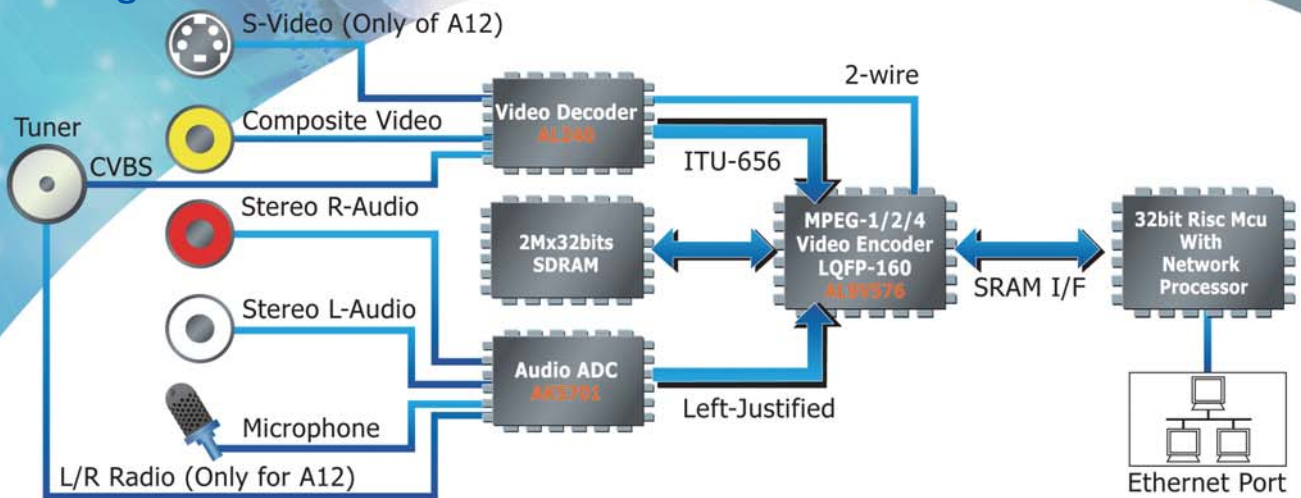
Introduction

The MPEG-4 Network TV/Video Server reference design, which leverages AverLogic's MPEG-4 audio/video encoding capacity to stream real-time audio/video over the Internet, enables system designers to quickly develop a network video server, IP network camera, or remote TV server. This reference design transmits the configurable MPEG-4 compressed video and audio streaming data with TCP/IP protocol through Ethernet, Power line or WiFi to remote receivers.

Specifications

Video System	Video Standard Video Input Capture Resolution Frame Rate Bit Rate Image Processing Video Encoding Video Encoding Format GOP Structure	Composite for NTSC/PAL A2: only 1 (CVBS); A12: 3 (Analog TV Tuner, CVBS, S-Video) D1/Half-D1/CIF/QCIF 30/25 fps at NTSC/PAL 64Kbps to 6Mbps with VBR/CBR Software adjustment of hue, contrast, saturation, and brightness MPEG-4 MPEG-4 Simple Profile I, IP
Audio System	Audio Input Audio encode format Bit Rate	L/R stereo input (RCA connector) MPEG-1 Layer II 64Kbps to 384Kbps
Software Development Kit	Operation System Browser Active X	Support Microsoft Windows® XP and Windows® 2000 Microsoft® IE Enabled
Hardware	Compression Module CPU Module Host interface Power Supply Ethernet	SD video decoder, MPEG-4 hardware encoder 32-bit RISC processor with Ethernet support 8/16-bit SRAM interface 12V DC RJ-45

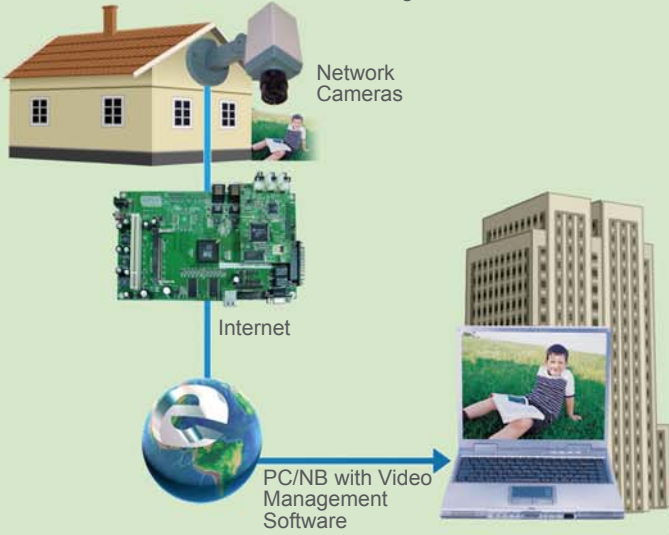
Block Diagram



Application Scenario

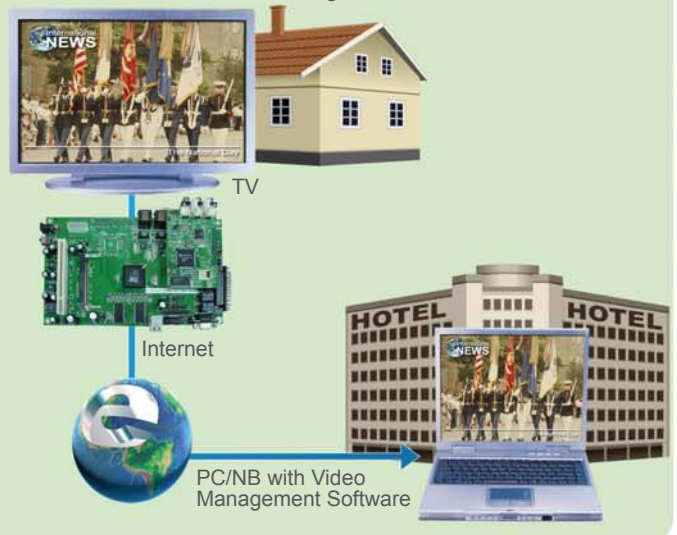
Scenario 1

Enable remote surveillance monitoring



Scenario 2

Enable remote CATV watching



Ordering Information

Part Number	AL9V576B-EVB-A2/A12
Description	AL9V576 EVB Kit Package Contents Hardware <ul style="list-style-type: none"> AL9V576B MPEG-4 Encoder daughter board with ATV tuner (SRAM interface) 32-bit RISC Network CPU Main board Document <ul style="list-style-type: none"> EVB User Manual

Part Number	AL9V576B-SDK-A2/A12
Description	AL9V576 SDK Kit Package Contents Hardware <ul style="list-style-type: none"> AL9V576B MPEG-4 Encoder daughter board with ATV tuner (SRAM interface) 32-bit RISC Network CPU Main board AL9V576 EVB H/W Reference Design (Includes Schematics, Gerber & Layout Files) Software <ul style="list-style-type: none"> AL9V576 EVB S/W Reference Design (Includes IPFinder, Driver and Linux Source code, Active X Library and MPEG-4 Software Decoder Library for Microsoft IE) Document <ul style="list-style-type: none"> AL240 Datasheets AL9V576 Datasheets 32-bit RISC CPU Datasheets AL9V576 API Command Application Notes AL9V576 HCI Control Application Notes AL9V576 EVB H/W Application Notes Linux Driver Application notes Programming Guides Software Application notes User Manual