



AL320C  
LCD/OLED Display Controller  
Flyer

Version 1.2

©2006~2008 by AverLogic Technologies, Corp.

**INFORMATION FURNISHED BY AVERLOGIC IS BELIEVED TO BE ACCURATE AND RELIABLE. HOWEVER, NO RESPONSIBILITY IS ASSUMED BY AVERLOGIC FOR ITS USE, NOR FOR ANY INFRINGEMENTS OF PATENTS OR OTHER RIGHTS OF THIRD PARTIES THAT MAY RESULT FROM ITS USE. NO LICENSE IS GRANTED BY IMPLICATION OR OTHERWISE UNDER ANY PATENT OR PATENT OR PATENT RIGHTS OF AVERLOGIC.**

Doc Number: 1-F-PMK132-0001

## Amendments

Revise Date	Contents	Page
06.11.16	Preliminary version 0.10	
06.12.16	Version 1.0	
	Add Digital Output :S-RGB interface for LTPS Panel	3
	Add OSD X,Y mirror for rear view or flip down application	3
	Remove the DCTI	3
	Remove Weak&Non-Standard Signal mode detection	3
	Remove EEPROM I/F interface	4
08.03.13	Version 1.1 Update the Operating Temperature	
08.08.12	Version 1.2 Remove "Operating Temp."	4
	Add Digital output description for "AMOLED Display"	4
	Description as "LCD/OLED Display Controller"	1

## Disclaimer

THE CONTENTS OF THIS DOCUMENT ARE SUBJECT TO CHANGE WITHOUT NOTICE. AVERLOGIC TECHNOLOGIES RESERVES THE RIGHT TO MAKE CHANGES WITHOUT FURTHER NOTICE TO ANY PRODUCTS HERIN TO IMPROVE RELIABILITY, FUNCTION OR DESIGN. AVERLOGIC DOES NOT ASSUME ANY LIABILITY ARISING OUT OF THE APPLICATION OR USE OF ANY PRODUCT OR CIRCUIT DESCRIBED HERIN; NEITHER DOSE IT CONVEY ANY LICENSE UNDER ITS PATENT RIGHTS, NOR THE RIGHTS OF OTHERS.

CUSTOMERS ARE ADVISED TO CONSULT WITH AVERLOGIC OR ITS COMMERCIAL DISTRIBUTORS BEFORE ORDERING.

AverLogic Confidential

## 1. FEATURES

### ◆ Analog Input:

Support multiple analog video inputs  
Support CVBS, S-Video & YPbPr inputs  
Support 10bit ADC, AGC & ACC  
Support Auto Multi-Standard  
NTSC/PAL/SECAM mode detection  
Adaptive 2D Comb-Filter video decoding for Y/C separation

### ◆ Digital Input:

Support ITU-R BT-656 Digital Input

### ◆ Video Processing & Scaler:

Closed Caption/V-Chip/WSS/WSS-J VBI decoding  
Macrovision copy protection detection  
Contrast/Brightness/Hue/Saturation adjustment  
Sharpness adjustment for Edge Enhancement  
YCbCr to RGB Color Space Conversion  
Programmable H/V Up & Down Scaling  
4:3 to/from 16:9 conversion  
Programmable 3-Channel Gamma Correction

### ◆ OSD

Built-in internal OSD 4K bytes RAM for programmable OSD function  
Support up to 4 OSD colors  
Support OSD Blinking & Blending

Support Programmable OSD window Position  
Support Programmable OSD window Size  
Support OSD X,Y mirror for rear view or flip down application

### ◆ Digital Output:

Support Small Digital Panels via Digital Serial RGB interface ( Typical as AUO and Toppoly )  
Support AMOLED Display via Digital Serial RGB output(Typical as CMEL)

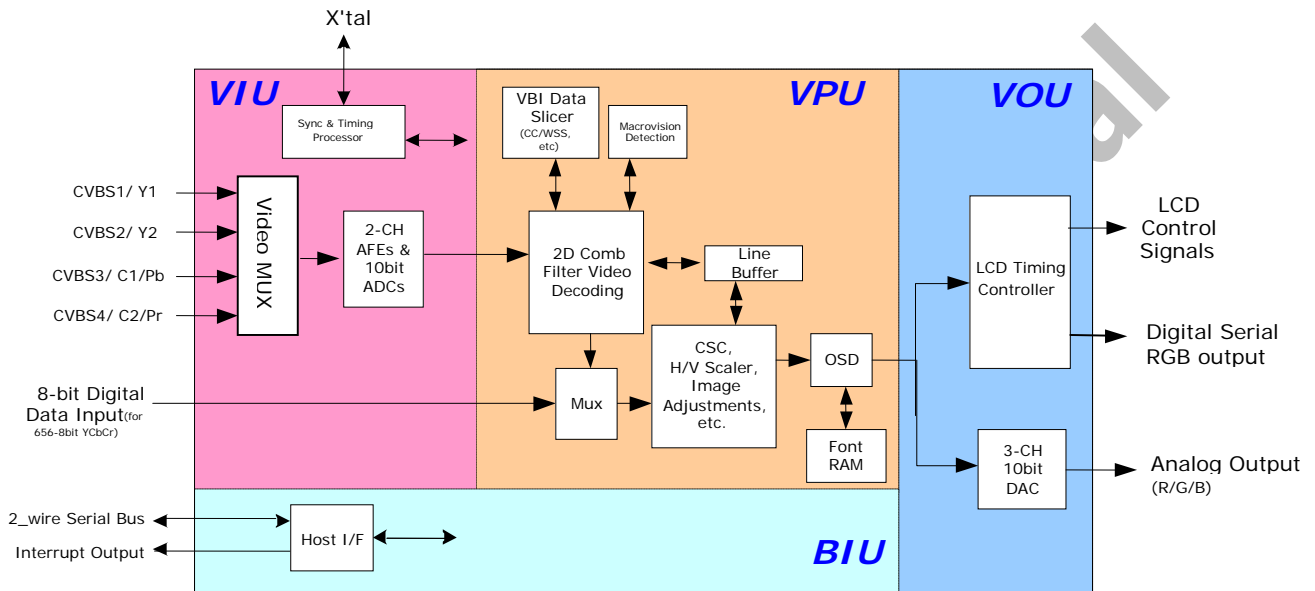
### ◆ Analog Output & Tcon

Support Analog LCD panels: 960x234, 1200x234, 1440x234, 1920x234, etc.  
Low Power 3-CH DACs for Analog RGB Output  
Programmable TCON for various Analog LCD panels  
Support Image Mirror and Flip functions

### ◆ Miscellaneous

Support three PWM generators for general purpose control  
Support interrupt output pin for hardware mode detection  
Built-in Test Pattern Generator (Color Bar, Grey Scale, etc.)  
Low power design  
Small footprint package, 80pin LQFP  
10x10mm

## 2. FUNCTION BLOCK DIAGRAM



## 3. APPLICATIONS

- In-Car TV/ GPS/Navigation & Entertainment Display System
- Portable Video Display (Video Doorphone, Babymonitor, Digital Photo Frame etc.)
- Portable DVD Player
- Portable TV/DTV (ATSC, DVB-T/-S)

## 4. ORDERING INFORMATION

Part number	Package	PB Free
AL320C-LF-PBF	80-pin LQFP (10x10mm)	Yes

Note: AverLogic Technologies PB-free products employ special PB-free material sets; molding compounds/die attach materials and 100% matte tin plate termination finish do not use materials containing PBB, PBDE or red phosphorus for green-product chips. AverLogic's PB-free products are MSL classified at PB-free peak reflow temperatures that meet or exceed the PB-free requirements of IPC/JEDEC J Std-020C."