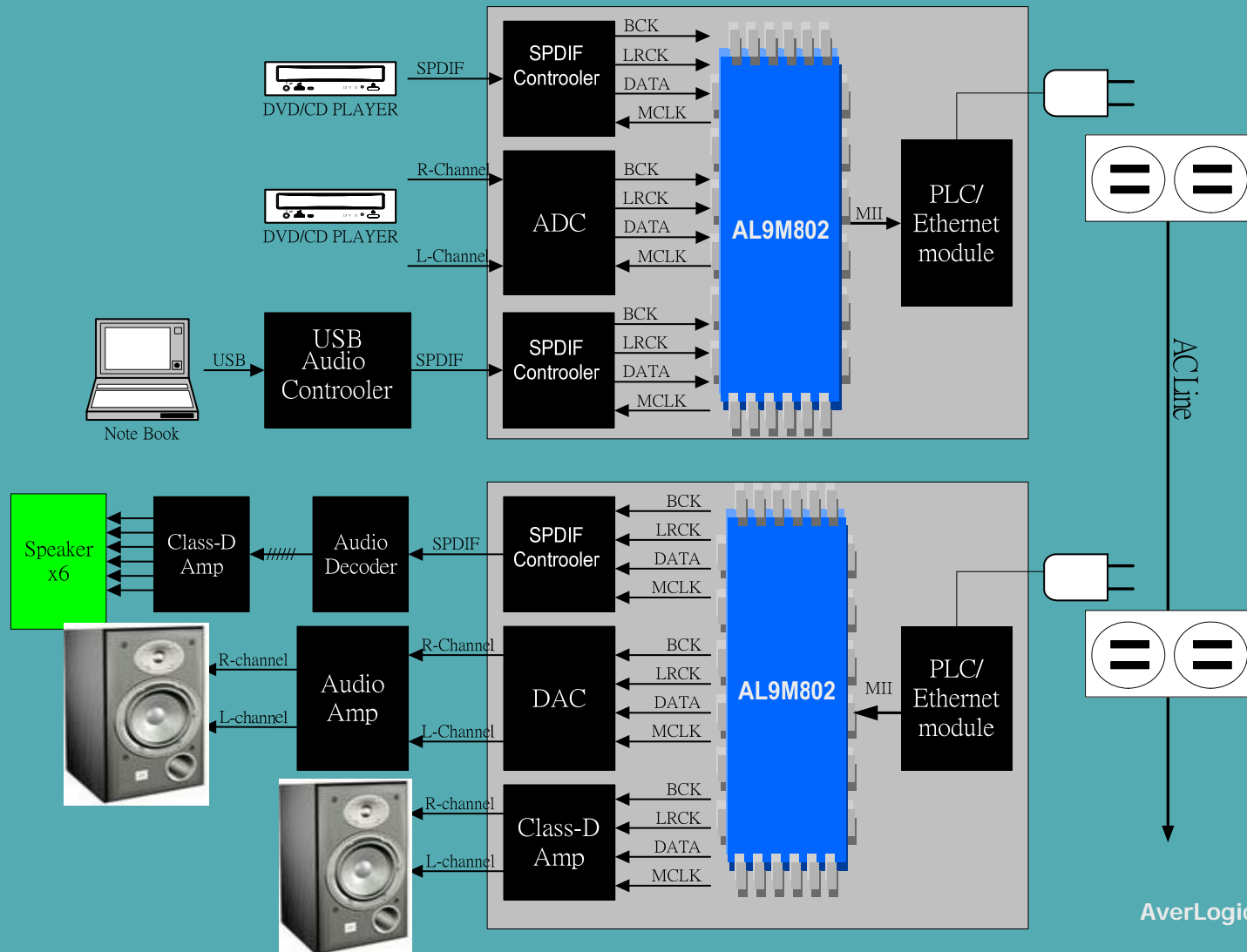
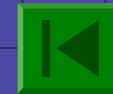




Audio Streaming on Ethernet or Powerline





Audio Streaming on Ethernet or Powerline

Key Features/Advantages:

- Support Audio 2 channel Stereo Audio without compression
- Data Formats: Left Justified, I2S
- Option S/PDIF Transmit
- Audio Resolution : 16/24 bits
- Sampling Rate 44.1k/48k/96 kHz
- Transmitting data bandwidth: 3.5Mbps (max.), No compression
- Very small audio signal latency: 4-10mS (Transmitter to Receiver)

Application:

- Home theater
- Wireless speakers
- iPod audio sender through PLC

